

**émaalco<sup>®</sup>**  
**ENAMELWARE**

**YOUR COMPANY NAME**

---

**ENAMEL STANDARD MUG 8 CM**

All pictures and visualisations shown in this file are for illustration purpose only.  
Actual product may slightly vary due to complicated enameling process.

**YOUR COM-  
PANY NAME**

**ENAMEL  
COLORS**

OUTSIDE



INSIDE



RIM

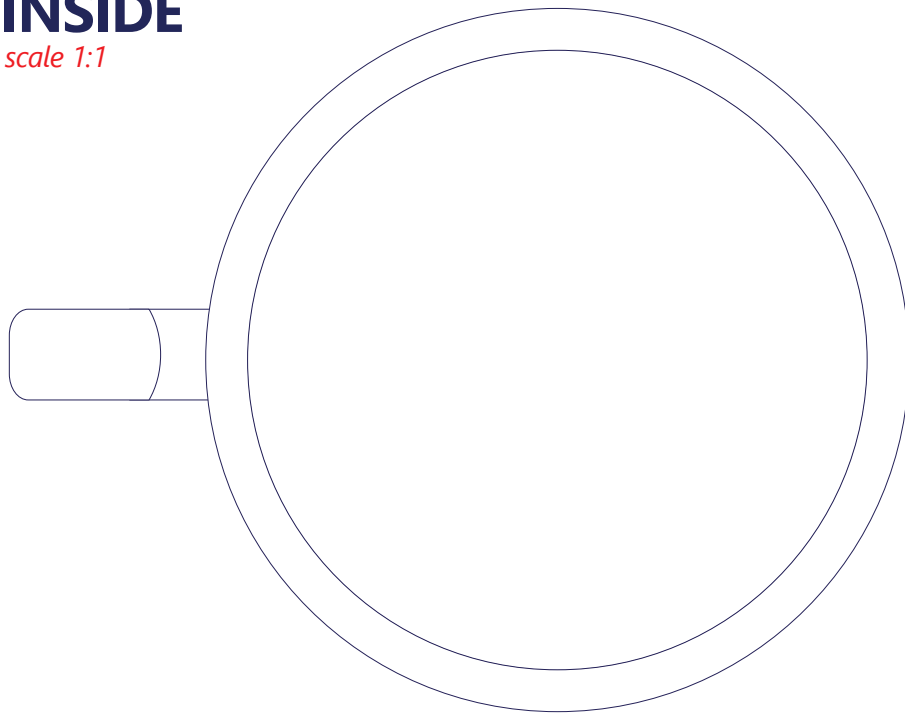


HANDLE ACCENT



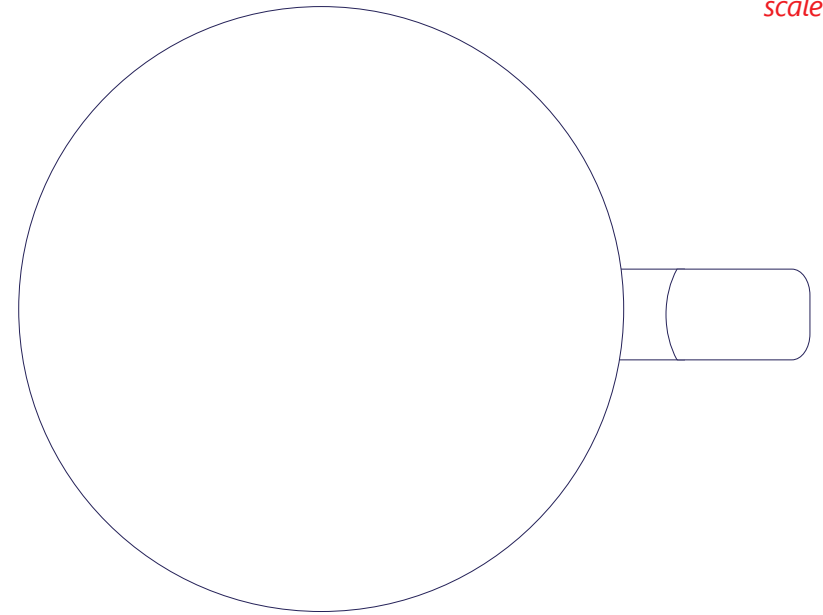
**INSIDE**

*scale 1:1*



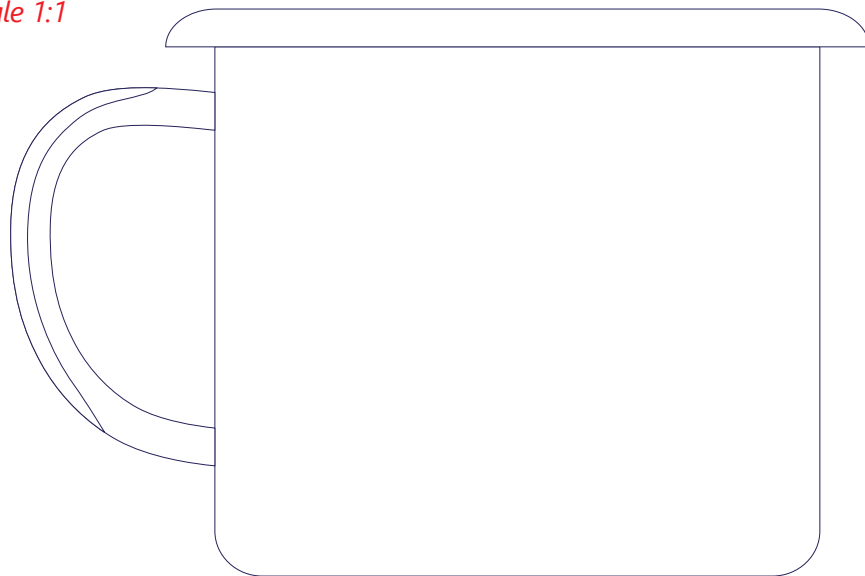
**BOTTOM**

*scale 1:1*



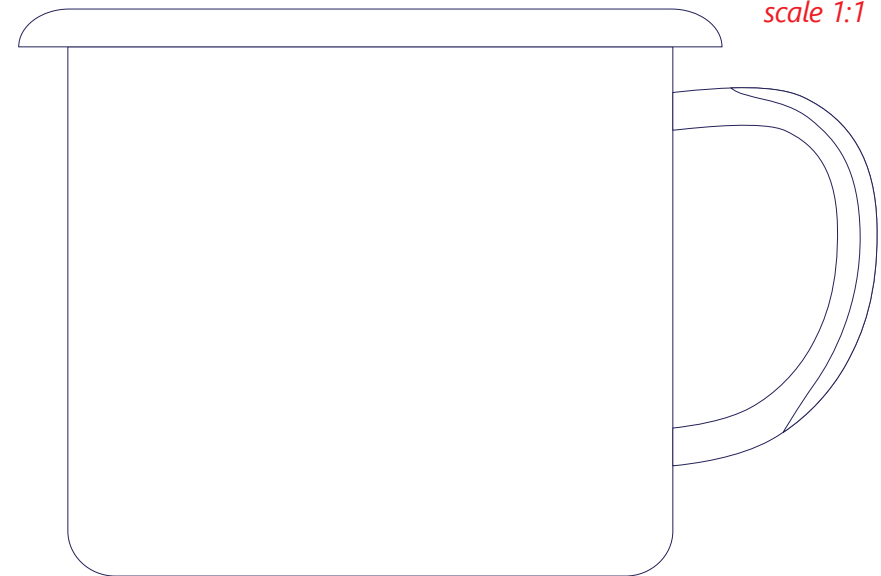
**SIDE A**

*scale 1:1*



**SIDE B**

*scale 1:1*



ARTWORK COLORS



white



white



white



white



white

**SIDE A**

ARTWORK

scale 1:1

**SIDE B**

ARTWORK

scale 1:1

**WRAP-AROUND**

ARTWORK

scale 1:1

**INSIDE**

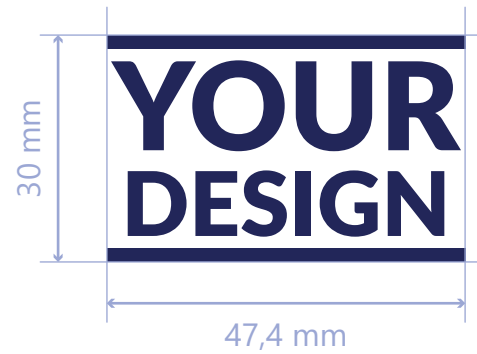
ARTWORK

scale 1:1

**BOTTOM**

ARTWORK

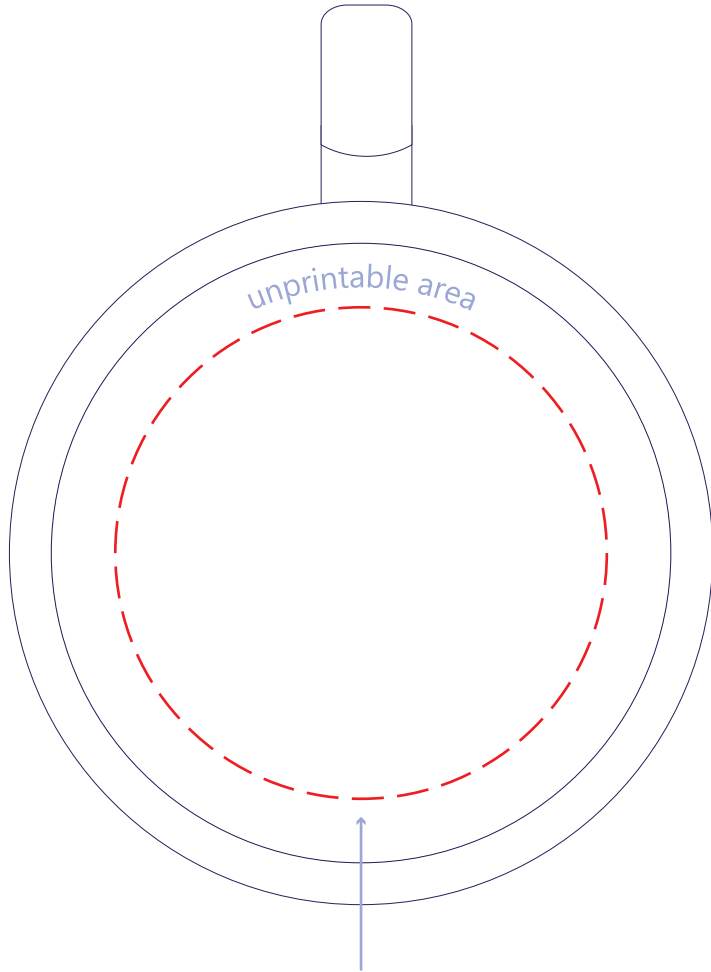
scale 1:1



# INSIDE ARTWORK

scale 1:1

Ø 65 mm | Ø 2.5 in

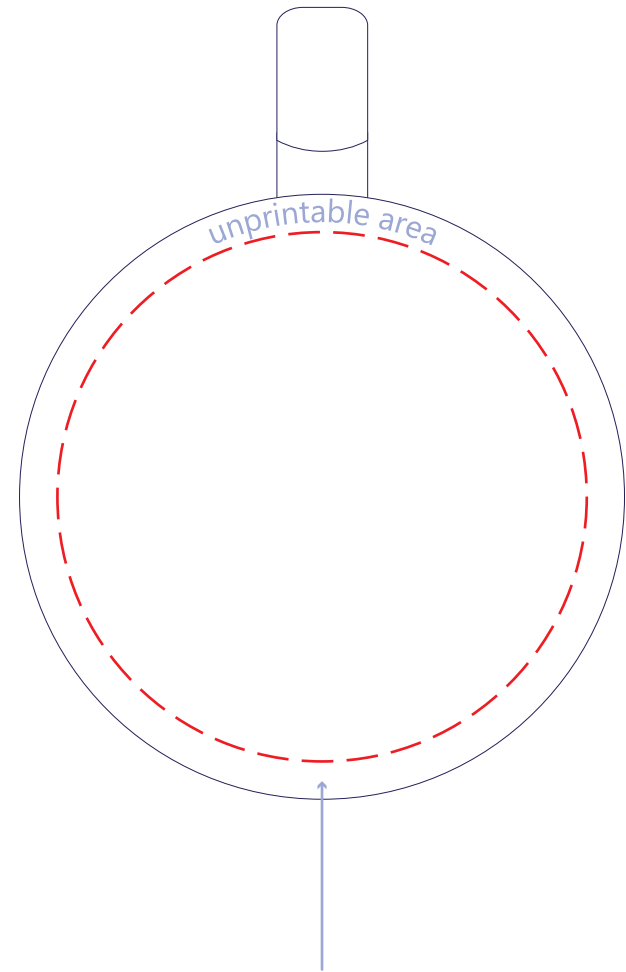


This is the printable area and it doesn't cover the surface of the mug completely

# BOTTOM ARTWORK

scale 1:1

Ø 70 mm | Ø 2.8 in



This is the printable area and it doesn't cover the surface of the mug completely

# SIDE A ARTWORK

scale 1:1

100x60 mm | 3.9x2.4 in

# WRAP-AROUND ARTWORK

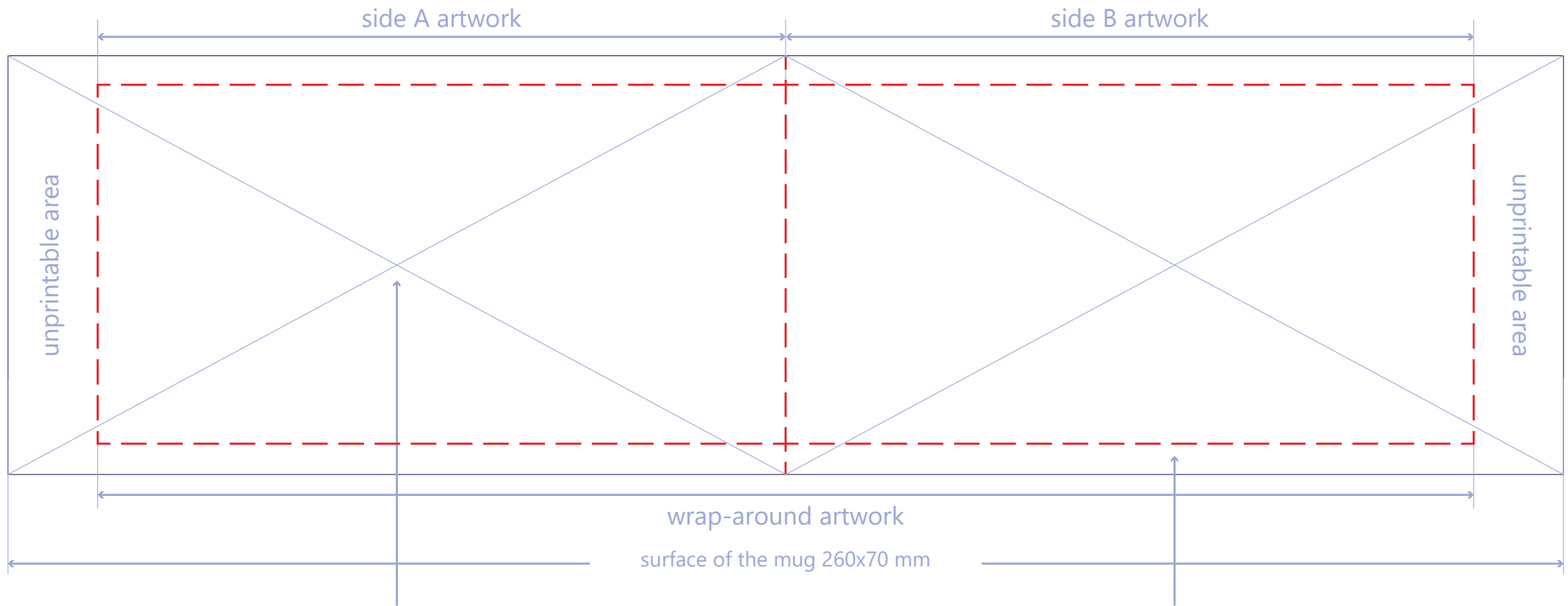
scale 1:1

230x60 mm | 9x2.4 in

# SIDE B ARTWORK

scale 1:1

100x60 mm | 3.9x2.4 in



The center of each side of the mug is where the two lines cross

This is the printable area and it doesn't cover the surface of the mug completely



**émaico<sup>®</sup>**

**ENAMELWARE**

**YOUR COMPANY NAME**

ENAMEL MUG 8 CM