

émaalco[®]
ENAMELWARE

YOUR COMPANY NAME

ENAMEL STANDARD MUG 10 CM

All pictures and visualisations shown in this file are for illustration purpose only.
Actual product may slightly vary due to complicated enameling process.

**YOUR
COMPANY
NAME**

**ENAMEL
COLORS**

OUTSIDE



INSIDE



RIM

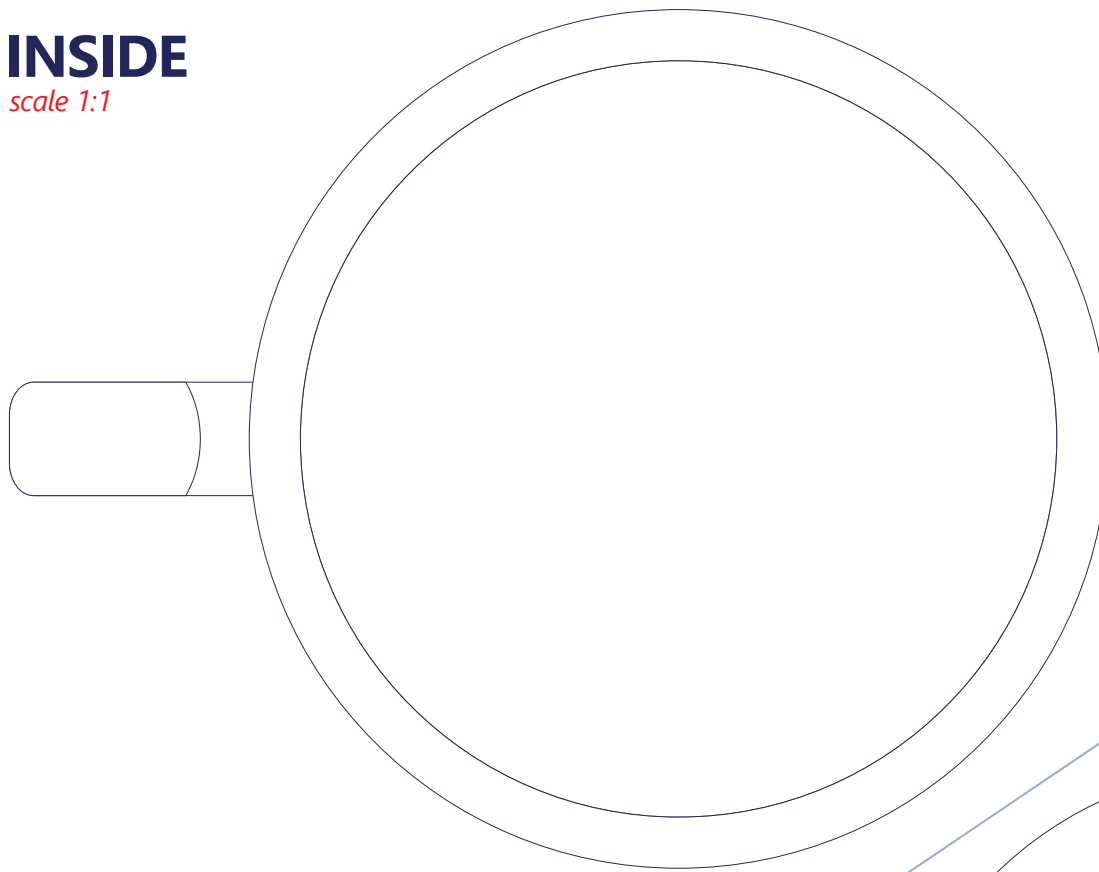


HANDLE ACCENT



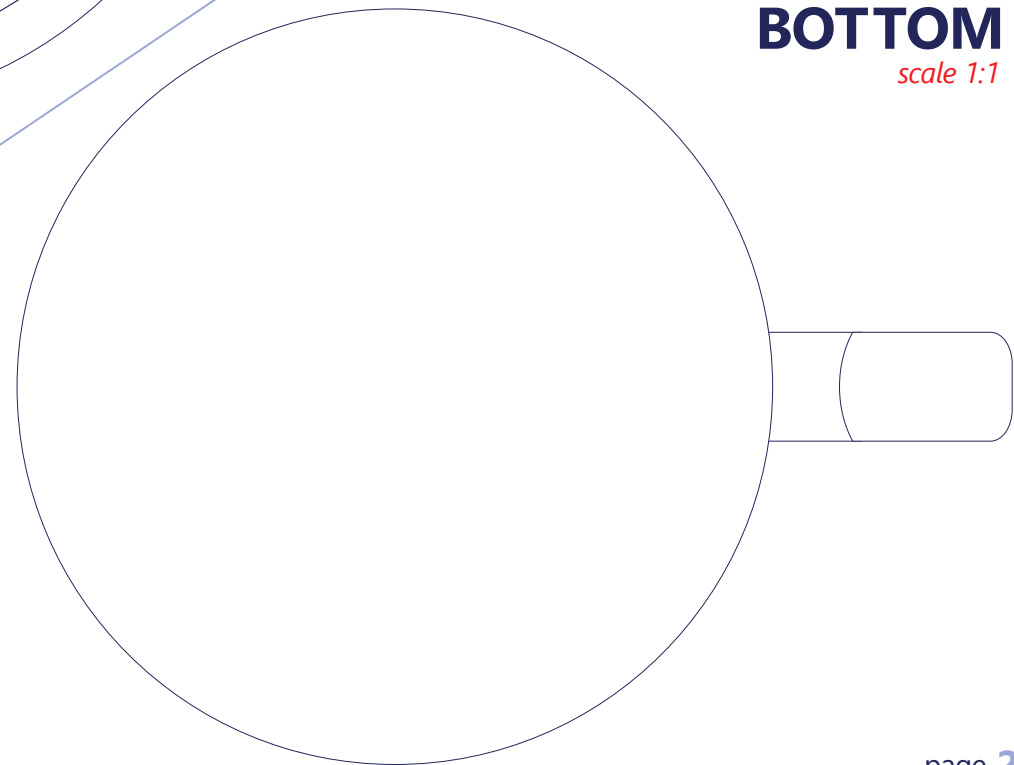
INSIDE

scale 1:1



BOTTOM

scale 1:1



**YOUR
COMPANY
NAME**

**ENAMEL
COLORS**

OUTSIDE



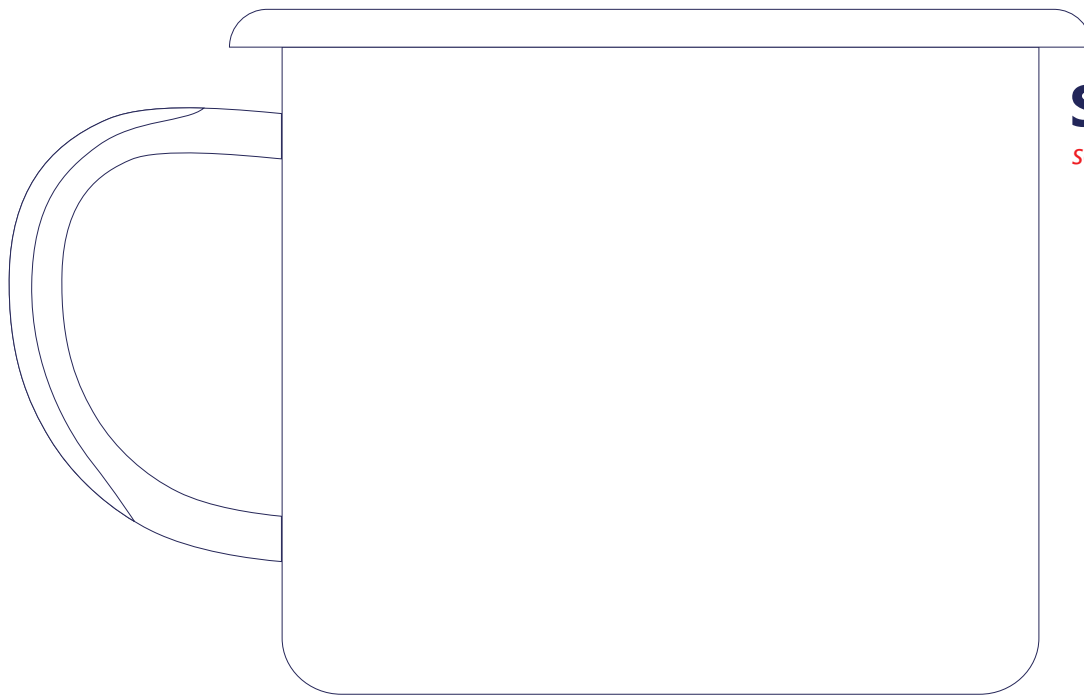
INSIDE



RIM

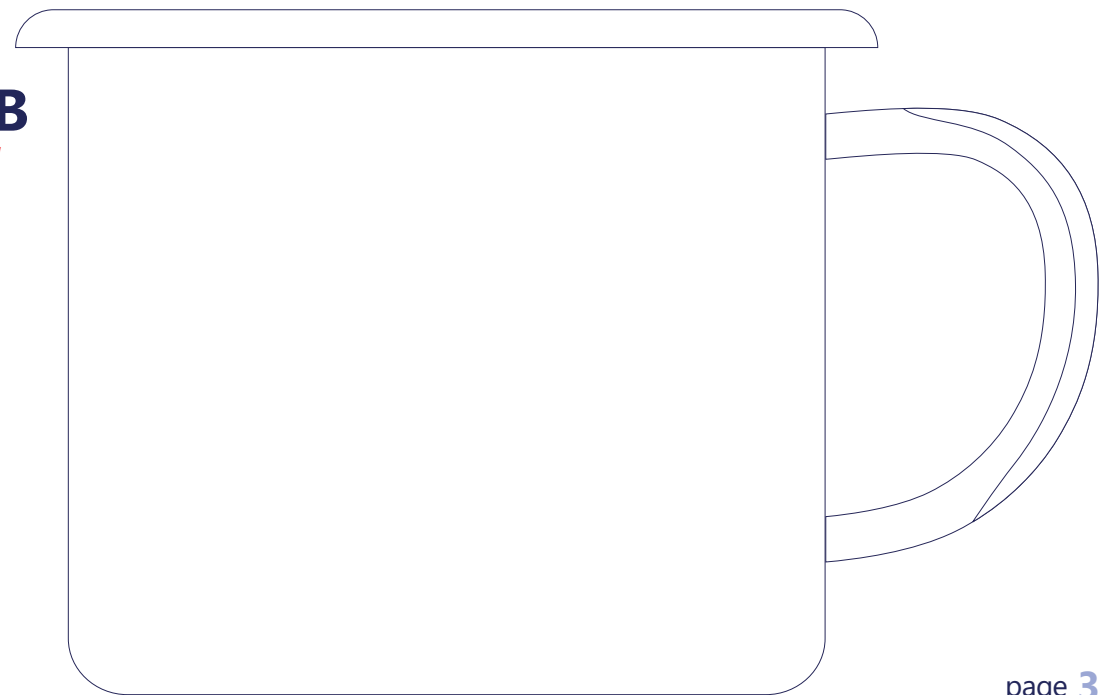


HANDLE ACCENT



SIDE A
scale 1:1

SIDE B
scale 1:1



ARTWORK COLORS



white



white



white



white



white

SIDE A

ARTWORK

scale 1:1

SIDE B

ARTWORK

scale 1:1

WRAP-AROUND

ARTWORK

scale 1:1

INSIDE

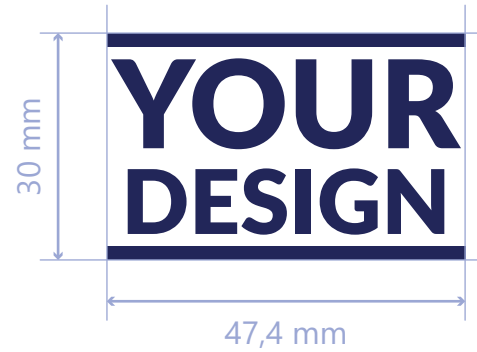
ARTWORK

scale 1:1

BOTTOM

ARTWORK

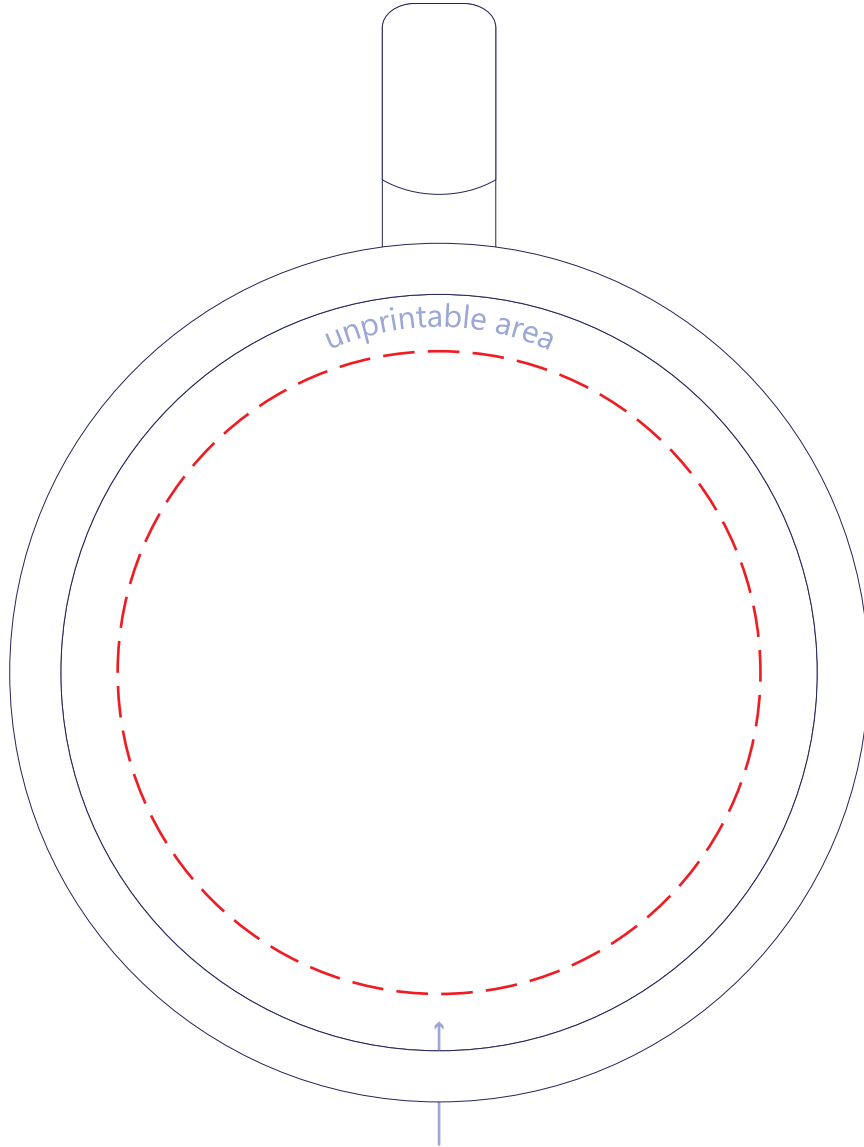
scale 1:1



INSIDE ARTWORK

scale 1:1

Ø 85 mm | Ø 3.3 in Ø

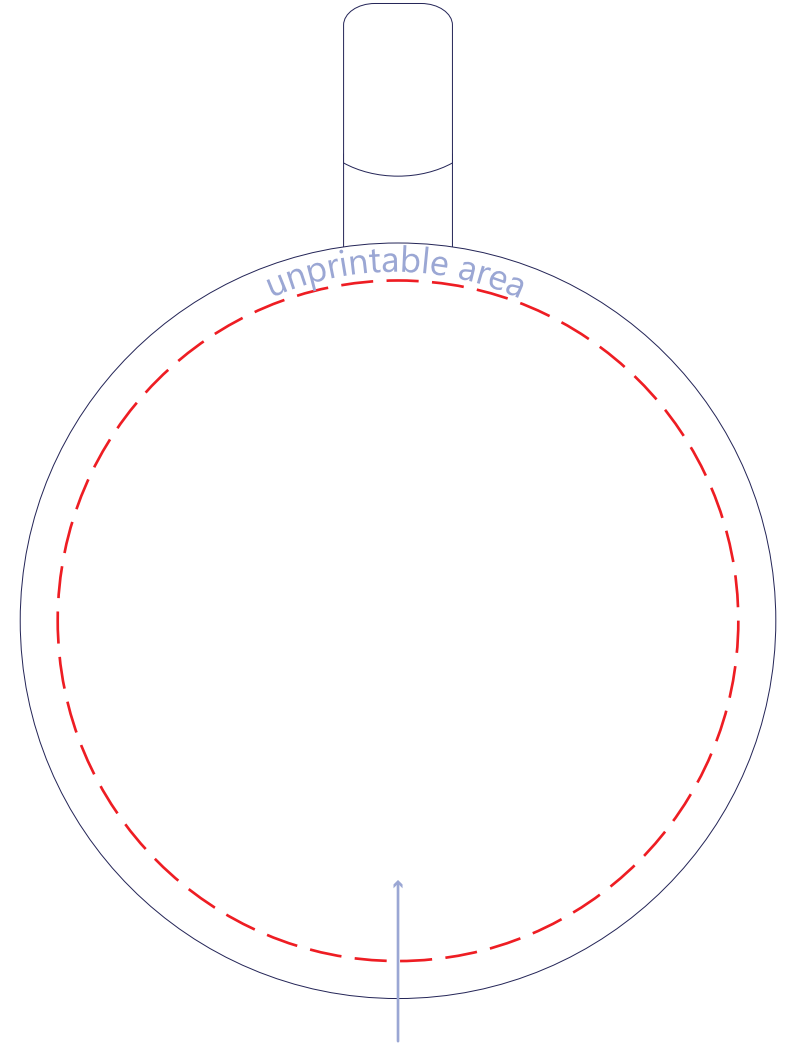


This is the printable area and it doesn't cover the surface of the mug completely

BOTTOM ARTWORK

scale 1:1

Ø 90 mm | Ø 3.5 in



This is the printable area and it doesn't cover the surface of the mug completely

SIDE A
ARTWORK

scale 1:1

145x70 mm | 5.7x2.7 in

WRAP-AROUND
ARTWORK

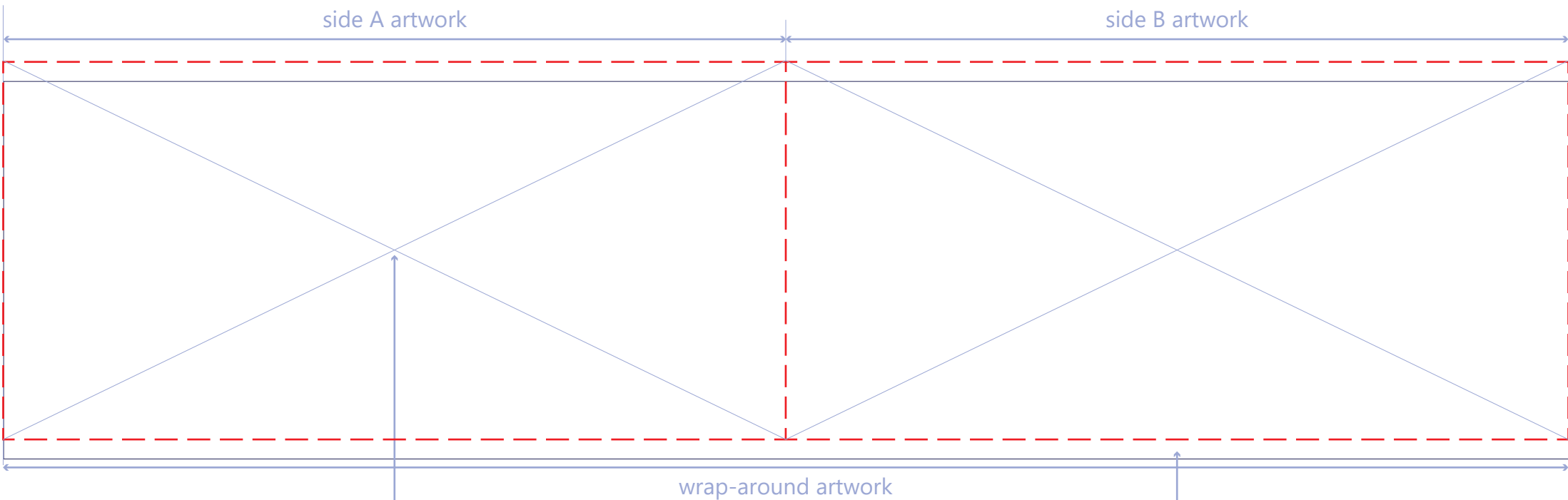
scale 1:1

290x70 mm | 11.4x2.7 in

SIDE B
ARTWORK

scale 1:1

145x70 mm | 5.7x2.7 in



The center of each side of the mug is where the two lines cross

This is the printable area and it doesn't cover the surface of the mug completely